

FUJI CO., LTD

1F, NO.32, JIANGUO N. RD., JUNGLI CITY.TAOYUAN, TAIWAN 320, R.O.C.

TEL : 886-3-425-4927

FAX : 886-3-426-9652

SPECIFICATION

P/N: LC-MD1002-01

FUJI CO., LTD

1F, NO.32, JIANGUO N. RD., JUNGLI CITY.TAOYUAN, TAIWAN 320, R.O.C.

TEL : 886-3-425-4927

FAX : 886-3-426-9652



Description

The LC-MD1002-01 is a compact LED Waterproof Module composed by 3W Luxeon High Power LED, die-cast aluminum base, and precise focus lens. This modular product can be simple and compact light sources of LED luminaries or fixtures. With unique aluminum base, the heat is efficiently managed at preferable working temperature, thus enable LEDs having stable light output and lifetime.

The LED is encapsulated in a unique structure to conform class IP66 protection. This unit offers easy and convenient design solutions to both lights manufacturer and lighting designer.

Other size, other LED, other colour pattern, and other array layout are available on request.

Also, please pick up the LED CCD Driver from our Alva product series if you need the LED driver for this module, or pick up the LED talent module from our LCT product series if you need the integrated module that includes LED module and LED CCD Driver.

Features

- IP65 Waterproof.
- Robust, 3W high power solid state lighting.
- Unique shape, ultra slim, hidden source.
- Good heat dissipation.
- Dynamic, vivid colors.
- Low voltage operation.
- The heat is efficiently managed at preferable working temperature.
- Small/Compact size.
- Easy for being retrofitted into existing traditional lighting fixture and indoor/outdoor lighting system.

Benefits

- Long lifetime, free of maintenance
- To offer easy and convenient design solutions
- Have flexible configurations including Warm white, White, Red, Green, Blue, Amber and RGBW mixed and other customized configuration
- Light weight
- Enhance the value of your products
- Provides flexibility to designers
- It is a hazard free product
- It can be integrated into existing lighting system
- Facilitates new fixture design
- Facilitates low profile fixture design

Materials

- **LED** : High power high brightness Luxeon 3W.
- **Metal base** : Extrusion Aluminum.
- **Lens** : High Optical grade High transparency PMMA.
- **Cover cap** : Polycarbonate.
- **Wire** : Teflon wire 24AWG.
- **Screw** : Stainless.

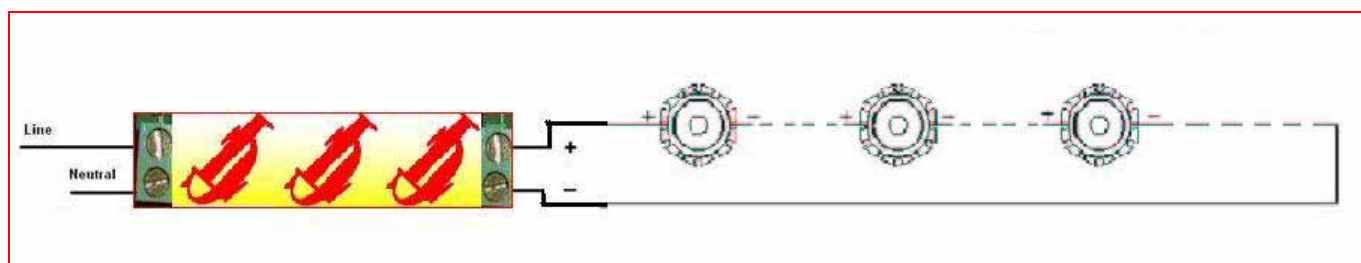
FUJI CO., LTD

1F, NO.32, JIANGUO N. RD., JUNGLI CITY.TAOYUAN, TAIWAN 320, R.O.C.
 TEL : 886-3-425-4927
 FAX : 886-3-426-9652

Typical Applications

- Architectural lighting
- Garden lighting
- In-ground lights.
- Floodlight.
- Cove lighting
- Cornice lighting
- Landscape lighting
- Under-Water lighting
- Vending machine lighting
- Wall sconces
- Under-cabinet lighting
- Projectors
- Decorative lights
- Pool/fountain lights

Driver wiring Diagram (With Alva-AH700-08 LED Driver)



Selection Guide	
Part Number	Description
LC-MD1002-01-3WW-XXX	3W Warm White Waterproof Module
LC-MD1002-01-3W-XXX	3W White Waterproof Module
LC-MD1002-01-3R-XXX	3W Red Waterproof Module
LC-MD1002-01-3G-XXX	3W Green Waterproof Module
LC-MD1002-01-3B-XXX	3W Blue Waterproof Module
LC-MD1002-01-3A-XXX	3W Amber Waterproof Module
LC-MD1002-01-XX-XXX	3W Customized Waterproof Module

Note:

1. The XX is the project code of the customized products.
2. The XXX is the lens options as following:

S06	6° Acrylic lens with Smooth surface
R38	38° Acrylic lens with Rough/ball surface

Electrical characteristics		
Input		
Parameter	Min	Max
Input Voltage Range	1.8Vdc	5Vdc
Input Frequency	-	-
Input Current	630mA	770mA
Efficiency	-	-

Note: The **Input Voltage range** is depended on the LEDs that you have selected. (Contact our engineer for the detail)

Environmental Ratings		
Parameter	Min	Max
Operating Ambient Temperature	-20	60
Storage Ambient Temperature	-20	80

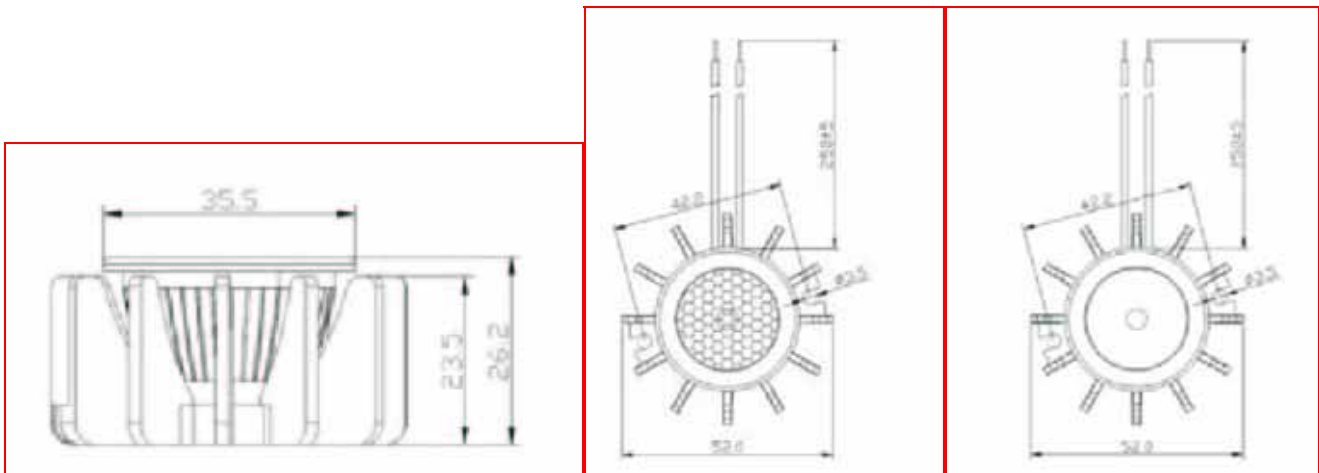
FUJI CO., LTD

1F, NO.32, JIANGUO N. RD., JUNGLI CITY.TAOYUAN, TAIWAN 320, R.O.C.

TEL : 886-3-425-4927

FAX : 886-3-426-9652

Drawing and Diagram :



Important: Please contact our engineer to ensure installation and maintenance being properly executed to obtain maximum performance, efficiency and durability from the LED lighting product.

Disclaimer: While every care has been taken with the details on this specification sheet, we accept no responsibility for any inaccuracies and reserve the right to change these specifications without notice to always ensure that you are receiving a superior product.